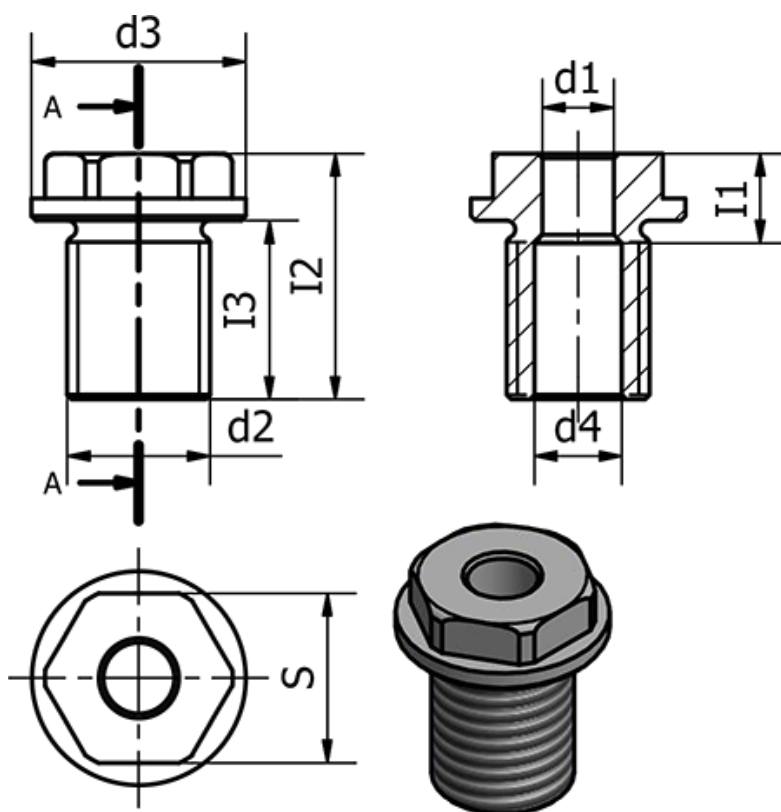


Article number: 2011321625M30x2A

Description: E+G Holding bushes for lifting pins,
GN 1132-16-25-M30x2-A

Measures



d1 = 16
d2 = M30 x 2
d3 = 39
d4 = 19.2
I1 = 25
I2 = 44
I3 = 29
s = 30

Tightening torque in Nm = 440